

\$10.00

PARTS MANUAL

SNACKTRON 2™

NATIONAL VENDORS®

A Division of Crane Co.
5055 Natural Bridge
St. Louis, MO 63115

1460060

AUGUST 1985
ORIGINAL

FILE 23

WARRANTY

The Snacktron 2™ Merchandiser is warranted for one (1) year against defective parts and workmanship. Any part or parts which are proved to be defective within one (1) year of the date of shipment will be replaced free of charge when the defective part is returned with transportation charges prepaid to the destination designated by the National Vendors' Parts Department.

This Warranty applies only to the original purchaser of the Merchandiser and is null and void if the Merchandiser is sold during the period of warranty.

This warranty is also null and void for all electrical components, wiring, or circuits, and/or for all mechanical parts or assemblies damaged as a result of operating the Merchandiser at other than 110-120 volts, 60 Hertz current.

No warranty is given or implied on incandescent lamps, neon lamps, fluorescent lamps, ballasts, or starters, and other expendable items.

Further, National Vendors is not responsible for any costs of service rendered, or repairs made, at other than National Vendors; or by anyone other than an authorized factory Service Representative of National Vendors; unless authorization to incur such expense has been given in writing by National Vendors prior to incurring such expense.

This Warranty is in lieu of all other warranties expressed or implied, including, without limitation, warranties of merchantability, and all other obligations or liabilities on National Vendors' part; and National Vendors neither assumes, nor authorizes any person to assume for it, any other obligation or liability in connection with the sale of said Equipment or any part thereof.

NATIONAL VENDORS®
A Division of Crane Co.
5055 Natural Bridge
St. Louis, MO 63115

This machine has been engineered to our own rigid safety and performance standards. It has earned a "Letter of Compliance" from NAMA indicating that it complies with sanitation and health guidelines recommended by the Automatic Merchandising Health-Industry Council (AMHIC) and it conforms with all other NAMA safety recommendations. In addition, the UL label signifies that its construction and design have been inspected and tested by Underwriter's Laboratories, Inc. and found to comply with their safety standards. UL inspectors also periodically examine production machines at the factory to assure continued compliance. Each electrical part has been separately investigated

by UL and found to be safe as used in this equipment. This machine has also been CSA certified and FCC verified.

To retain the safety and performance built into this machine, it is important that installation and maintenance be conducted so as to not alter the construction, or wiring, and that replacement parts are as specified in the Parts Manual. Your investment in this equipment will be protected by using the Set-Up Instructions and Parts Manual in your operation and maintenance work. By following prescribed procedures, machine performance and safety will be preserved.

TABLE OF CONTENTS

SECTION I.	THEORY OF OPERATION (unavailable at this printing)	
SECTION II.	TROUBLESHOOTING (unavailable at this printing)	
SECTION III.	CIRCUITRY	3-1
SECTION IV.	ILLUSTRATED PARTS BREAKDOWN	4-1

LIST OF ILLUSTRATIONS

Figure		Page
3-1	SNACKTRON 2™ Wiring Diagram	3-2
4-1	SNACKTRON 2™ Merchandiser	4-2
4-2	Cabinet Assembly	4-4, 4-6
4-3	Controller PCB and Component Assembly	4-10
4-4	Sidewall Assembly	4-13
4-5	Channel and Receptacle Block Assembly	4-15
4-6	Fan and Housing Assembly	4-17
4-7	Door Assembly, Final, Imperial Crown	4-18, 4-22
4-8	Push-Button Grid Assembly	4-28
4-9	Coin Receptacle Assembly	4-29
4-10	Delivery Pan Assembly	4-30
4-11	Upper Door Light Assembly	4-33
4-12	Snack Tray Final Assembly	4-34
4-13	Candy Tray Final Assembly	4-36

SPECIFICATIONS

SIZE:	72" (183 cm) high 30" (76 cm) wide 35-1/2" (90 cm) deep
WEIGHT:	522 lbs. (237 kg)
POWER REQUIREMENTS:	110-120 Volts, 60 Hertz, 3 Amps
TRAY CAPACITIES: (Standard Spirals)	4 Selection Snack Tray - 52 items 8 Selection Candy Tray - 160 items
COIN MECHANISM: (Drop-Shipped)	MARS ELECTRONIC™ Model MC5000
	COIN ACCEPTORS Model C300-9404-977
LIFT-HANDLE DOOR LOCK:	Flex-ACE® or Van Lock
OPTIONAL EQUIPMENT:	Door Locks (Flex-ACE® or Van Lock) Cabinet Base Plate Data Access Control Keylock Exhaust Fan Money Box Lock
	Spirals
	1. Dual Gum and Mint Spiral
	2. 13-Item or 38-Item Candy Spiral
	3. 20-Item or 25-Item Snack Spiral

The number of items is based on the suggested arrangement of the snack and candy spirals.

SECTION IV ILLUSTRATED PARTS BREAKDOWN

This section contains the Parts Breakdown for each assembly of the SNACKTRON 2™ Merchandiser.

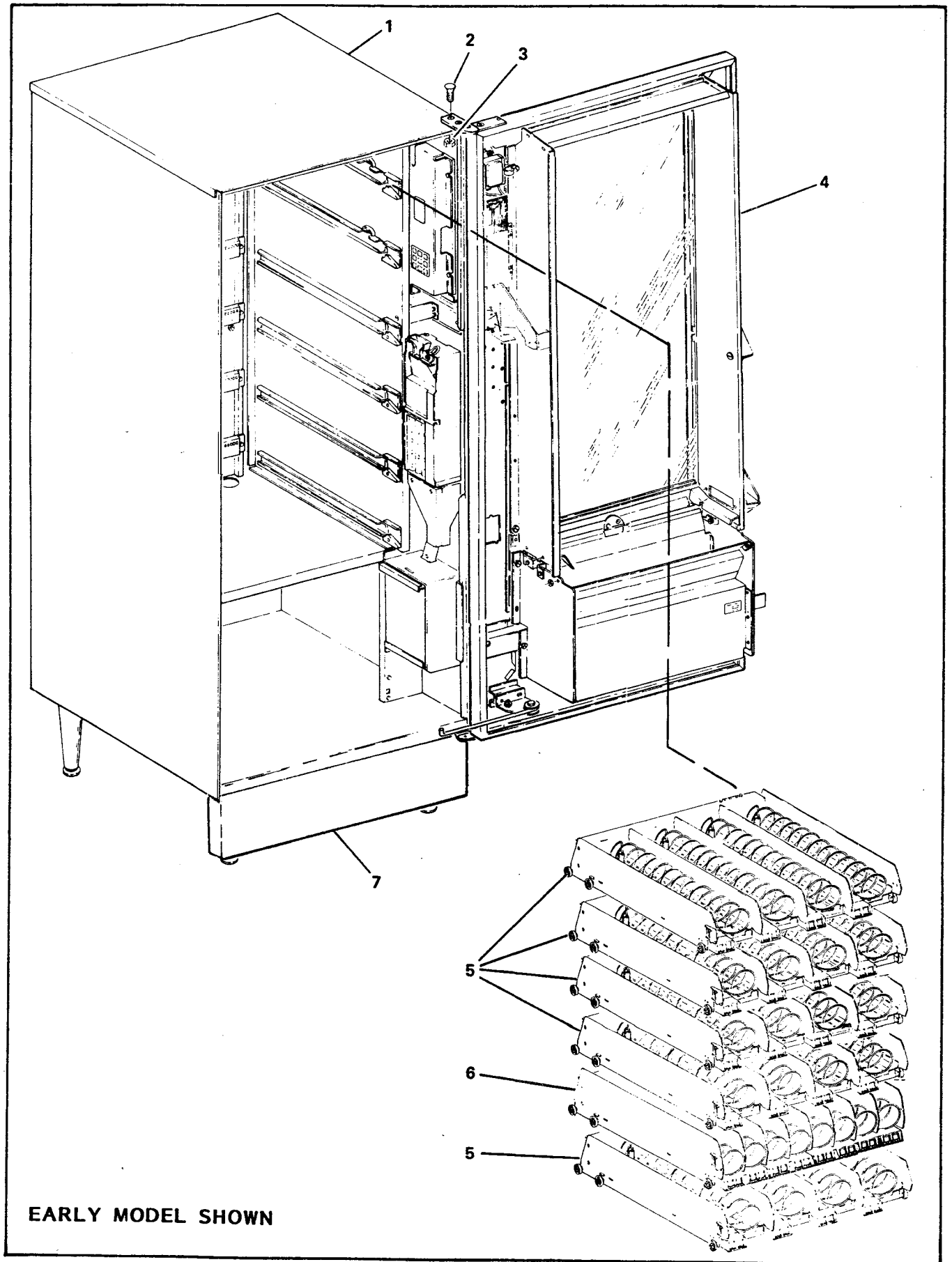
Each illustration shows an exploded view with index numbers. These numbers correspond with the numbers in the parts list column headed INDEX NO. The DESCRIPTION column lists the identifying name of each part or assembly. The PART NUMBER column lists the part number of each part or assembly. The NO. REQ. column lists the number required for each part or assembly.

HOW TO USE THE PARTS LIST

To find the part number of a part or assembly, turn to the Flowchart and pick out the figure that uses the part or assembly desired. Turn to that figure and locate the part and its index number. Find the index number in the parts list and read across for a complete description.

HOW TO ORDER PARTS OR ASSEMBLIES

To avoid delays and errors in shipping, give the part number, complete description, and quantity required. Also, include the Model name and Serial No.



EARLY MODEL SHOWN

Figure 4-1. SNACKTRON 2nd Merchandiser

SNACKTRON 2

Index No.	Description	Part Number	No. Req.
	Snacktron 2™ Merchandiser	-	
1	Cabinet Assembly, Final (See Figure 4-2)	1461017	1
2	Carriage Bolt, No.5/16-18 x 3/4	1171021	2
3	KEPS Nut, No.5/16-18 W/Conical Serrated Washer	1171022	2
4	Door Assembly, Final (See Figure 4-7)	1462006	1
5	Snack Tray Assembly, Final (See Figure 4-12)	1467000	1
6	Candy Tray Assembly, Final Candy & G/M Tray Assembly, Final (See Figure 4-13)	1467100 1467124	1 1 opt.
7	Base Plate and Accessory Assembly, "Nu-Gray" Base Plate and Accessory Assembly, "Award"	1461018 1461021	1 opt. 1 opt.

SNACKTRON 2

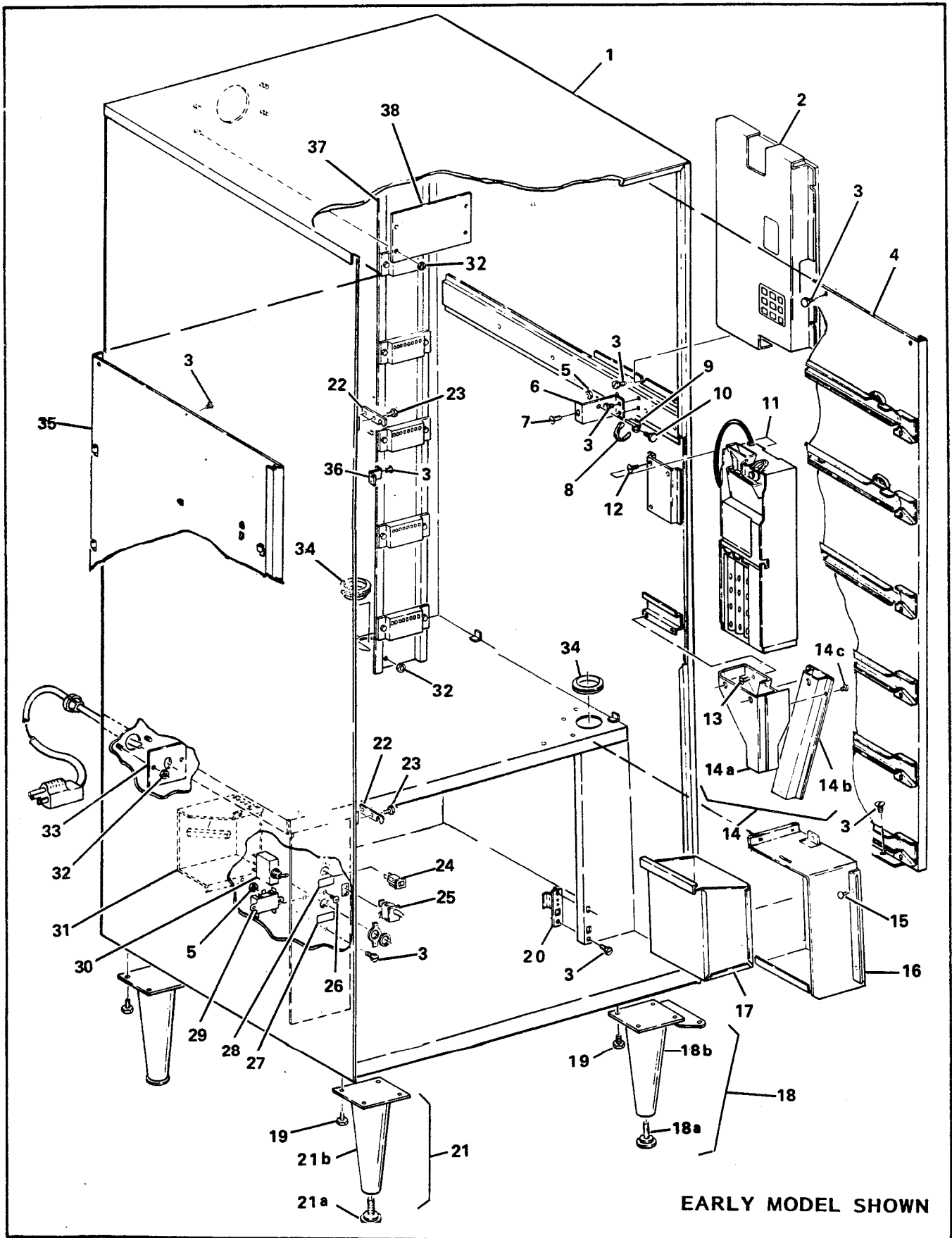


Figure 4-2. Cabinet Assembly (1 of 3)

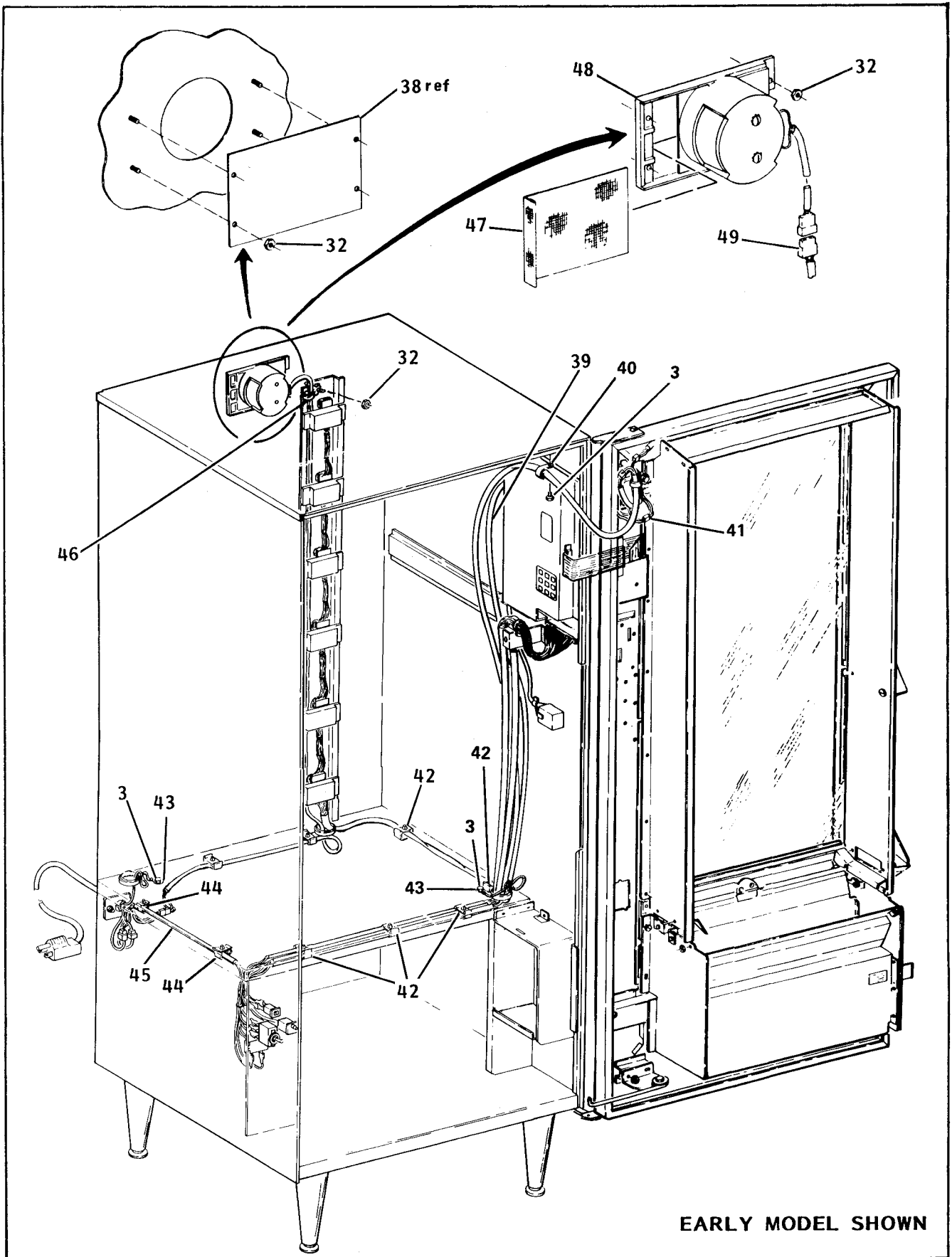


Figure 4-2. Cabinet Assembly (2 of 3)

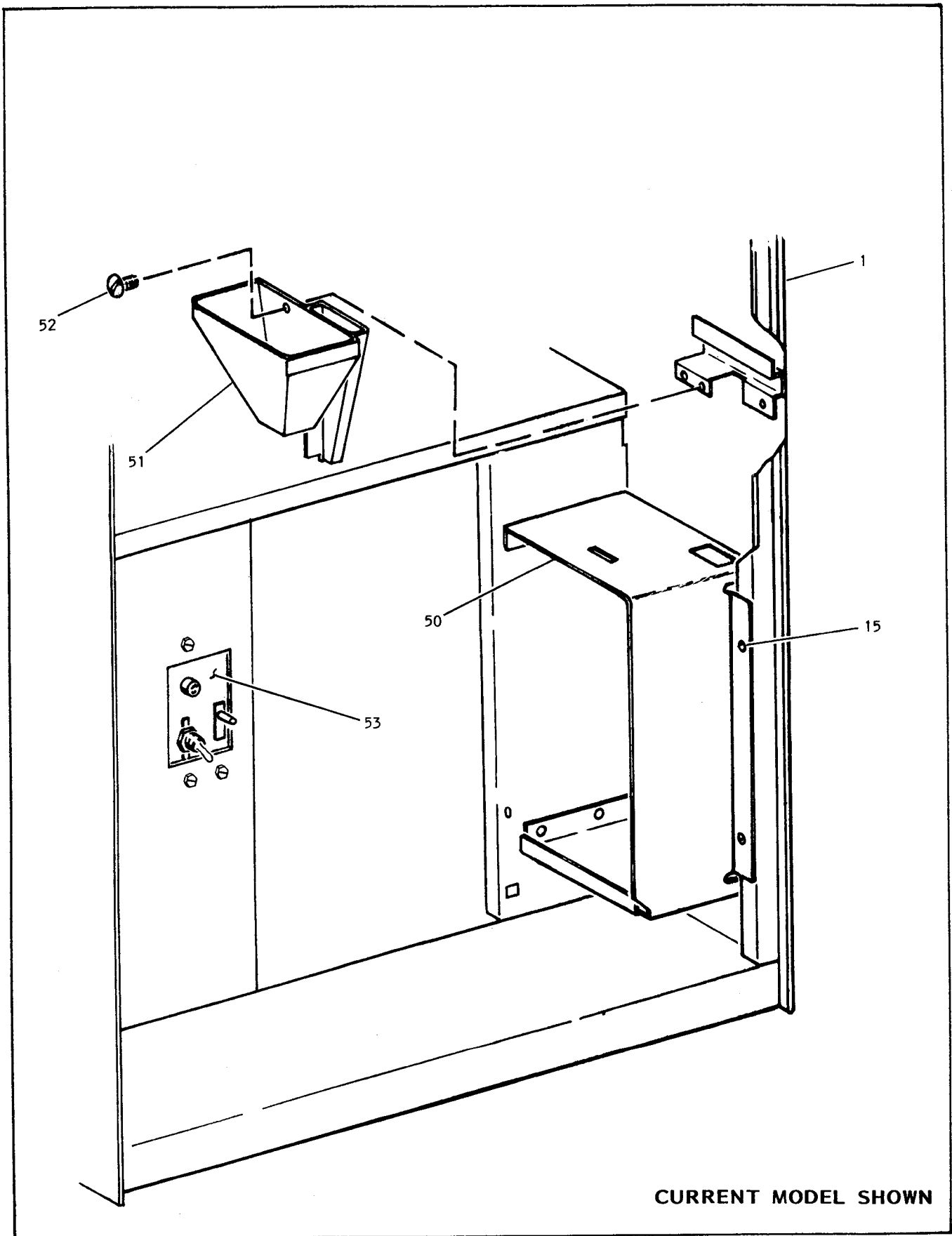


Figure 4-2. Cabinet Assembly (3 of 3)

Index No.	Description	Part Number	No. Req.
	Cabinet Assembly, Final (See Figure/Index 4-1/1 for next higher assembly)	1461017	Ref.
1	Cabinet Assembly	1461000	1
	Cabinet Assembly (Later Models)	1461301	1
2	Controller PCB & Component Assembly, MARS	1461011	1
	Controller PCB & Component Assembly, MARS/Data Retrieval	1461014	1 opt.
	Controller PCB & Component Assembly, CA	1461015	1
	Controller PCB & Component Assembly, CA/Data Retrieval	1461016	1 opt.
	Controller PCB & Component Assembly, Validator (See Figure 4-3)	1461302	1 opt.
3	Screw, No.8-32 x .31 Hex Head T/F - Black	1451097	27
4	Right Sidewall Assembly (See Figure 4-4)	1451169	1
5	Nut, No.8-32 W/Lockwasher	9900081	3
6	Bracket, Support, Liner Sidewall	1451094	1
7	Screw, No.8-32 x 3/8 THS - Black	1170206	1
8	Wire Tie, Self Clinching, Medium	2204513	1
9	Mount, Harness Edge	1411122	1
10	Screw, No.8-32 x 1/2 PHS T/C W/Lockwasher	9900197	1
11	Coin Unit, Mars Changer MC5000	5900112	1
12	Screw, No.8-32 x 3/8 RHS	9900019	3
13	Screw, No.8-32 x 5/16 THS S/T	9900166	2
14	Coin Chute Assembly	1451068	1
14a	Lower Coin Chute Assembly	1451069	1
14b	Chute Assembly, Coin Return	1451072	1
14c	Screw, No.6-20 x 3/8 PHS T/C	9900203	2
15	Rivet, Pop, .156 Dia. x .254	1211115	6
16	Money Box Receptacle	1451096	1
17	Money Box Assembly	1451029	1
18	Leg, Hinge & Leveler Assembly, Cabinet	3121148	1

SNACKTRON 2

Index No.	Description	Part Number	No. Req.
18a	Leveler, Cabinet	1171072	1
18b	Plate Assembly, Leg & Hinge	3101149	1
19	Screw, .31-18 x 1.00 Hex Hd. T/F	1451093	16
20	Plate & Spring Assembly, Door Check	1451039	1
21	Leg & Leveler Assembly, Cabinet	1171098	3
21a	Leveler, Cabinet	1171072	3
21b	Leg Assembly, Cabinet	1171075	3
22	Lock Arm, Cabinet, Left	4241182	2
23	Screw, No.10-32 x 3/8 PHS T/C W/Lockwasher	4041053	4
24	Circuit Breaker, 3 Amp	9989336	1
25	Switch	1401110	1
26	Screw No.8-32 x 3/8 PHS W/Lockwasher	9900023	2
27	Label, Main Power	1451138	1
28	Label, Circuit Breaker	1451137	1
29	Interference, Filter	9989100	1
30	Switch, DPST	4041150	1
31	Cover, Interlock Switch	1451081	1
32	Nut, No.10-32 W/Lockwasher	9900164	22
33	Plate & Power Cord Assembly	1451047	1
34	Snap Bushing, 1-5/8"	2301017	2
35	Left Sidewall Assembly (See Figure 4-4)	1451164	1
36	Bracket, Support, Liner Sidewall, L/H	1461009	1
37	Channel & Receptacle Block Assembly (See Figure 4-5)	1451062	1
38	Cover, Fan	1451078	1
39	Harness, Power to Controller	1451130	1

Index No.	Description	Part Number	No. Req.
40	Wire Clamp, .370 Dia.	2302227	1
41	Jumper, Power to Transformer	1451125	1
42	Routing Clip, Snap-In	9989323	5
43	Lockwasher, #8 External Tooth	6131148	2
44	Routing Clip, Snap-In	9989324	2
45	Harness, Power Control	1451123	1
46	Tie, Wire	5230618	1
47	Screen, Exhaust Fan	1451087	1 opt
48	Fan & Housing Assembly (See Figure 4-6)	1451088	1 opt
49	Harness, Fan	1451122	1 opt
50	Receptacle, Money Box	1451305	1
51	Chute, Coin Return	1451334	1
52	Screw, No.6-32 x 5/16 THS S/T	9900166	1
53	Plate, Interlock	1451326	1
	Not shown		
	Label, Tray Removal	1451098	1
	Label, Candy Loading	1451152	1
	Union Label	2221039	1
	Patent Label	2221045	1
	Label, N.V. Logo	2221580	1
	Tag, Electrical Rating	1461010	1
	Drive Screw, Electrical Rating Tag	4021057	2
	Label, FCC Approval	5580074	1

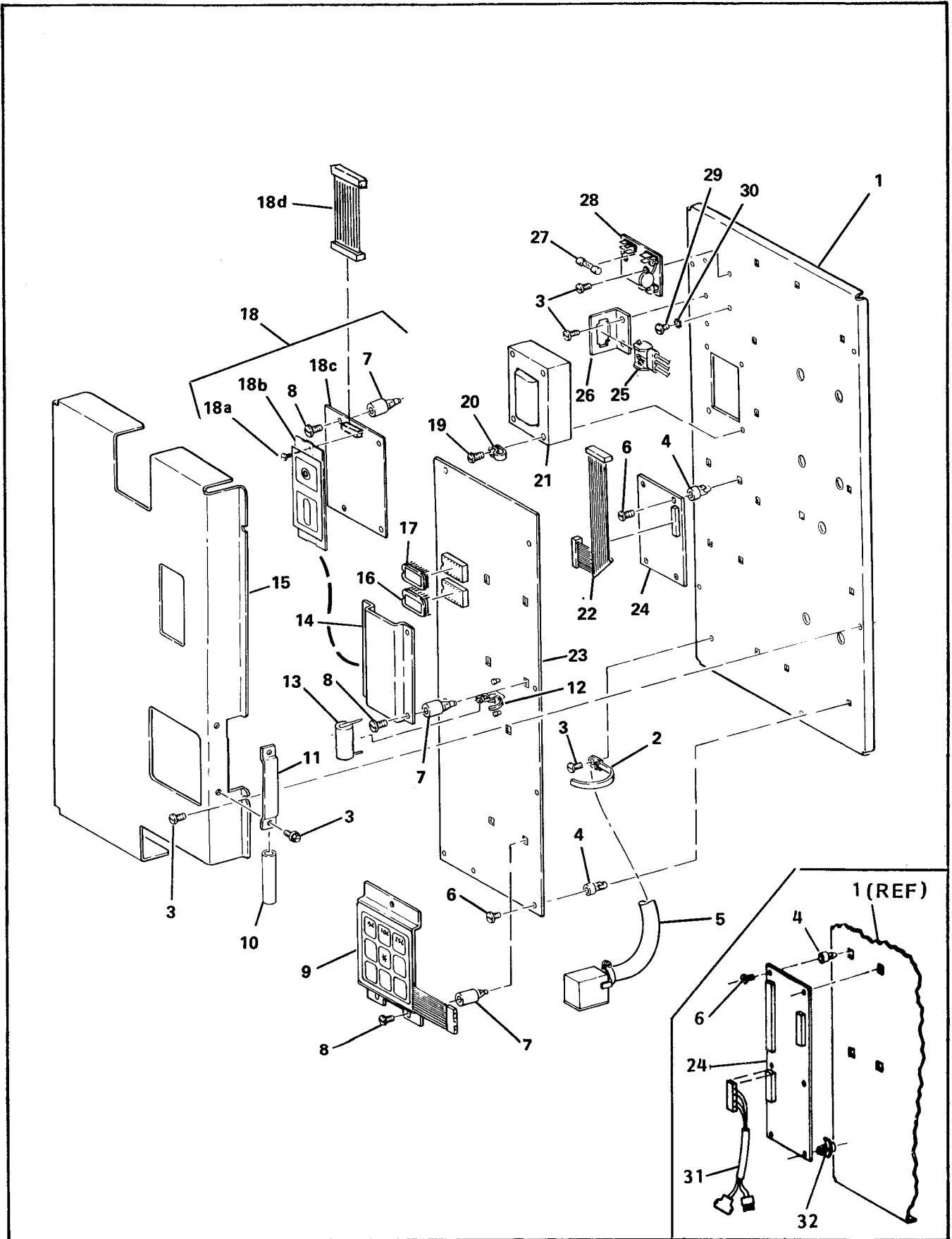


Figure 4-3. Controller PCB and Component Assembly

Index No.	Description	Part Number	No. Req.
	Controller PCB & Component Assembly, Validator	1461302	Ref.
	Controller PCB & Component Assembly, MARS	1461011	Ref.
	Controller PCB & Component Assembly, MARS/Data Retrieval	1461014	Ref.
	Controller PCB & Component Assembly, CA	1461015	Ref.
	Controller PCB & Component Assembly, CA/Data Retrieval (See Figure/Index 4-2/2 next higher Assembly)	1461016	Ref.
1	Chassis P/C Board	1451107	1
2	Wire Tie	5230618	1
3	Screw, No.8-32 x .31 Hex Hd. T/F Black	1451097	11
4	Plastic Expansion Nut, .250 Spacer	9989329	16
5	Harness, Coin Mech Interface, MARS (used on 1461011)	1451120	1
	Harness, Coin Mech Interface, CA (used on 1461015)	1451121	1
6	Screw, No.8-18 x .500 PHS	1451112	12
7	Plastic Fastener, .687 Spacer	9989330	7
8	Screw, No.8-18 x 1.25 PHS	1451113	7
9	Membrane & Plate Assembly	1451100	1
10	Cover Clamp	1451043	1
11	Clamp, Wire	1451042	1
12	Wire Tie, Self Clinching, Medium	2204513	1
13	Battery, Lithium, 3v - Size 2/3A	9989317	1
14	Channel, Backup, Cover (used on 1461011 & 1461015)	1451109	1
15	Cover, Control Panel	1451084	1
16	IC Assy, MOS - EPROM, Programmed (U3)	1461024	1
	IC Assy, EPROM, Programmed (U3) (used on 1461302)	1461304	1
17	IC Assy, MOS - EPROM, Programmed (U2)	1461023	1
	IC Assy, EPROM, Programmed (U2) (used on 1461302)	1461303	1
18	PCB & Panel Assembly - Data Retrieval (used on 1461014 are 1461016)	1451126	1 opt.

SNACKTRON 2

Index No.	Description	Part Number	No. Req.
18a	Screw, No.6-32 x 1/4 RHS	9900003	2
18b	Membrane & Panel Assembly, Data Retrieval	1451118	1
18c	PCB Assembly, Data Retrieval	1451103	1
18d	Cable Assembly, 7 Position, Ribbon Wire	1451116	1
19	Screw, No.8-32 x 1.25 Hex Hd. T/F	1451133	4
20	Wire Clamp, .302 Dia. (used on 1461011 & 1461014)	2221049	1
21	Transformer Assembly	1451076	1
22	Cable Assembly, 12 position, Ribbon Wire	1451117	1
23	PCB Assembly, Controller Part of this assembly	1451085	1
24	PCB Assembly, Coin Mech Interface, MARS (used on 1461011 & 1461014)	1451105	1
	PCB Assembly, Coin Mech CA Interface, CA (used on 1461015 & 1461016)	1451114	1
	PCB Assy Interface MARS/MAKA (used on 1461302)	1451307	1
25	Jumper, Power to Transformer	1451125	1
26	Bracket, Chassis	1451110	1
27	Fuse, 3/4 Amp	1451141	1
28	Terminal Board Assembly	1451127	1
29	Screw, #8-32 x 3/8 RHS T/C W/Lockwasher	9000173	1
30	Washer, External Tooth (Next to Chassis)	6131148	1
31	Door Crossover (used on 1461302)	1451316	1
32	Plastic Expansion Nut, .250 Spacer (used on 1461302)	9984510	2

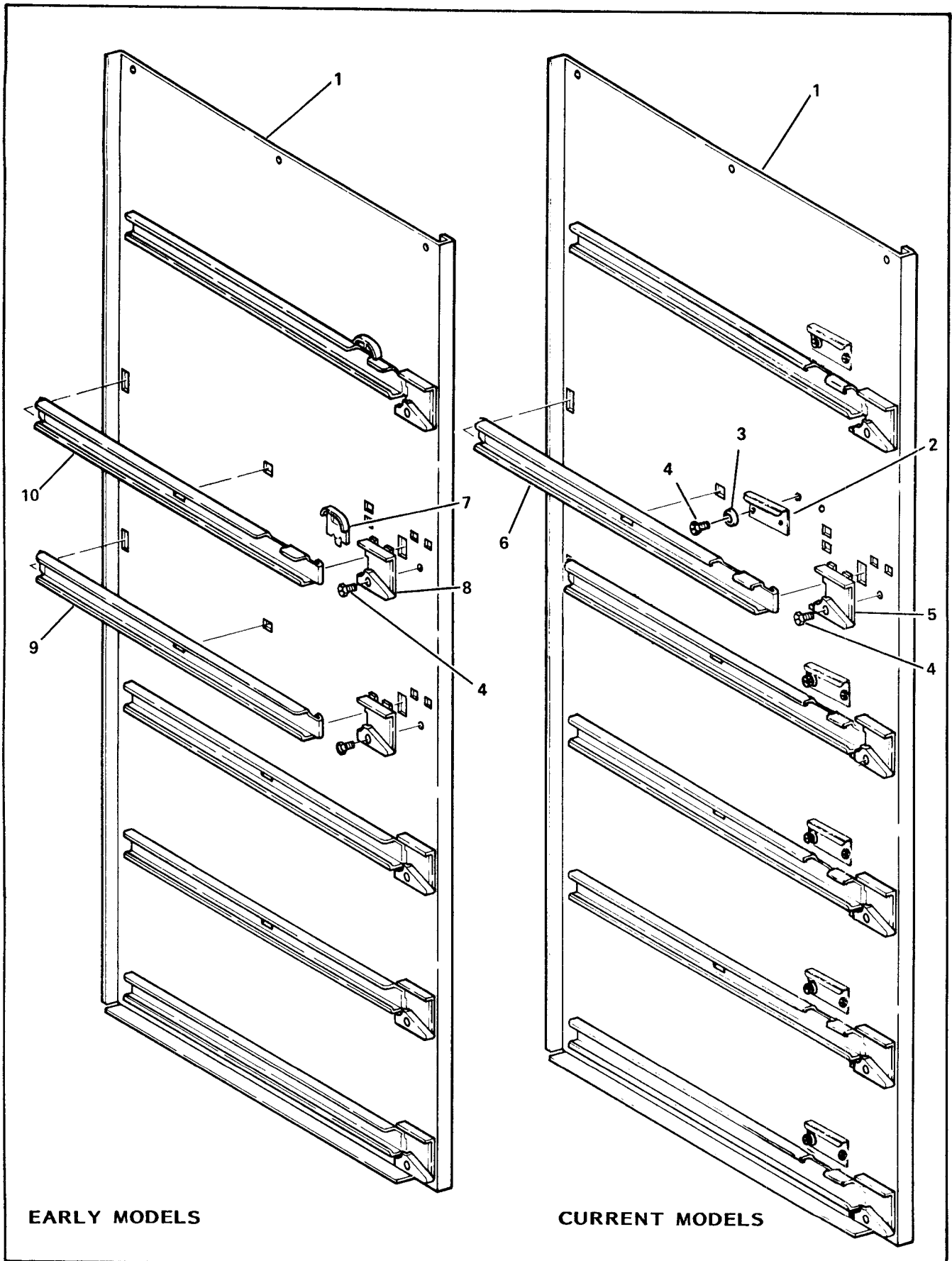


Figure 4-4. Sidewall Assembly

SNACKTRON 2

Index No.	Description	Part Number	No. Req.
	Left Sidewall Assembly (current models)	1451164	Ref.
	Right Sidewall Assembly (shown) (current models)	1451169	Ref.
	Left Sidewall Assembly (early models)	1451050	Ref.
	Right Sidewall Assembly (shown) (early models)	1451057	Ref.
1	Sidewall, Liner, L.H.	1451165	1
	Sidewall, Liner, R.H.	1451170	1
2	Tilt Bracket, Guide Rail	1451167	6
3	Spacer, Cup	1302289	6
4	Screw, 8-32 x .31 Hex Head, T/F Black	1451097	18
5	Ramp, Tray, L.H.	1451168	6
	Ramp, Tray, R.H.	1451172	6
6	Guide Rail, L.H.	1451166	6
	Guide Rail, R.H.	1451171	6
7	Extension, Guide Rail, Upper	1451054	2
8	Ramp, Tray, R.H.	1451061	6
	Ramp, Tray, L.H.	1451055	6
9	Guide Rail, Lower, R.H.	1451059	4
	Guide Rail, Lower, L.H.	1451052	4
10	Guide Rail, Upper, R.H.	1451060	2
	Guide Rail, Upper, L.H.	1451053	2

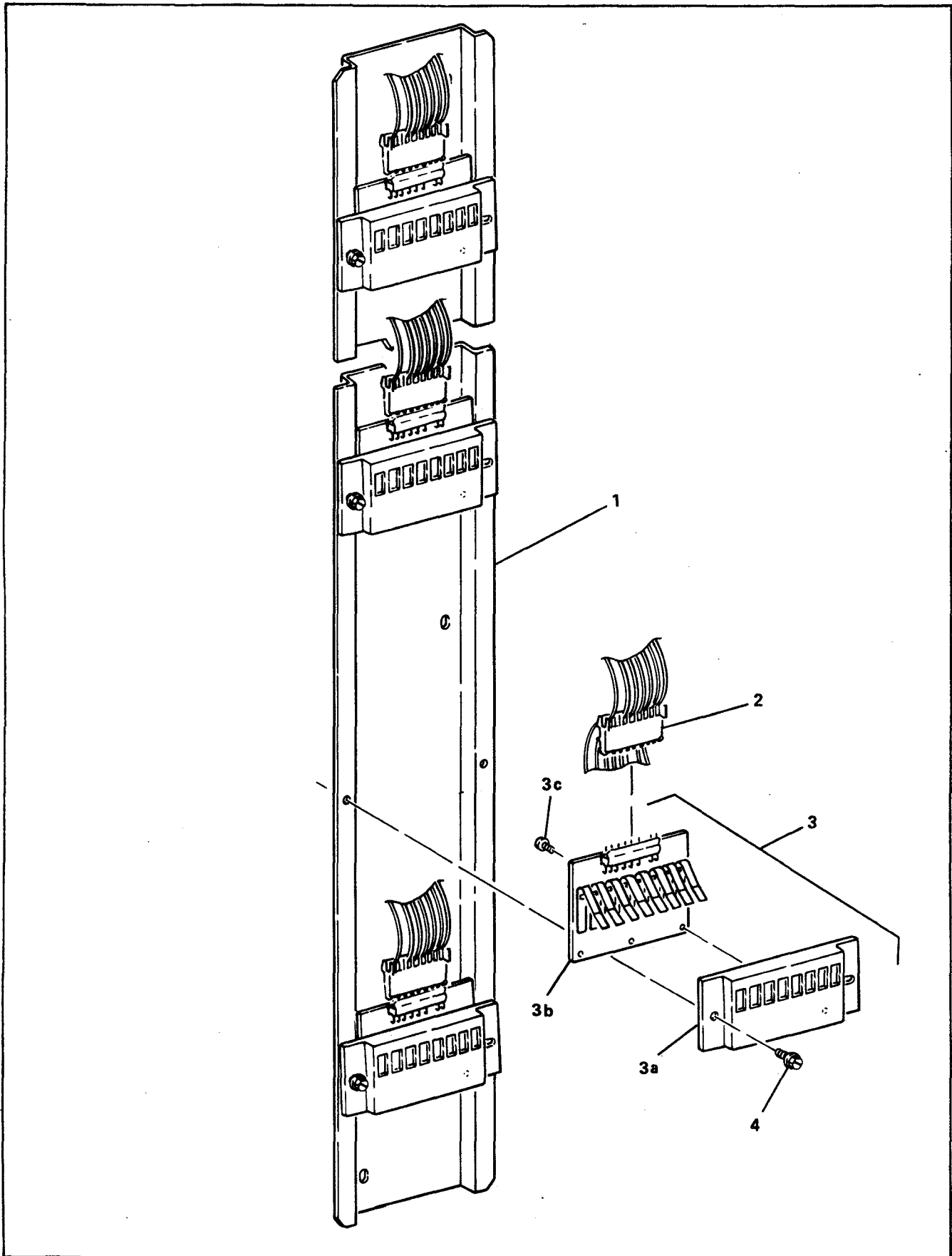


Figure 4-5. Channel and Receptacle Block Assembly

SNACKTRON 2

Index No.	Description	Part Number	No. Req.
	Channel and Receptacle Block Assembly See Figure/Index 4-2/37 next higher assembly	1451062	Ref.
1	Channel, Receptacle Mounting	1451063	1
2	Cabinet Harness	1451075	1
3	Receptacle Block and P/C Board Assembly	1451064	6
3a	PCB and Contact Spring Assembly	1451049	6
3b	Block, Receptacle	1451065	6
3c	Screw, No.6-20 x 3/8" Pan Head	9900203	30
4	Screw, No.8-32 x .31 Hex Head	1451097	12

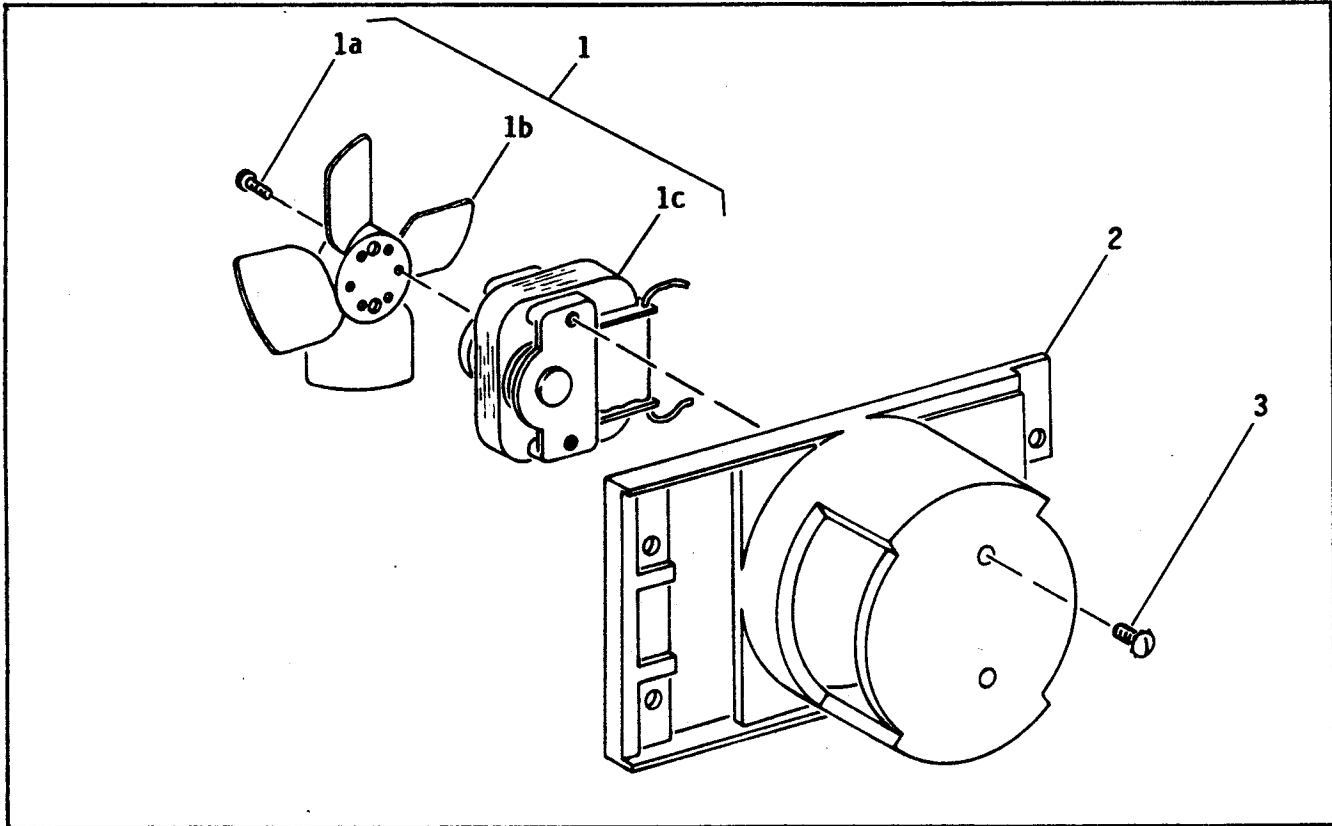


Figure 4-6. Fan and Housing Assembly

Index No.	Description	Part Number	No. Req.
	Fan and Housing Assembly (optional) (See Figure/Index 4-2/48 next higher assembly)	1451088	Ref.
1	Motor and Blade Assembly, Exhaust Fan	1451090	1
1a	Screw, No.3-48 x .25 Binding Head	1411192	2
1b	Fan Blade, Exhaust	1451092	1
1c	Motor, Exhaust Fan	1451091	1
2	Housing, Fan	1451089	1
3	Screw, No.10-32 x 5/8" Round Head W/Lockwasher	1277102	2

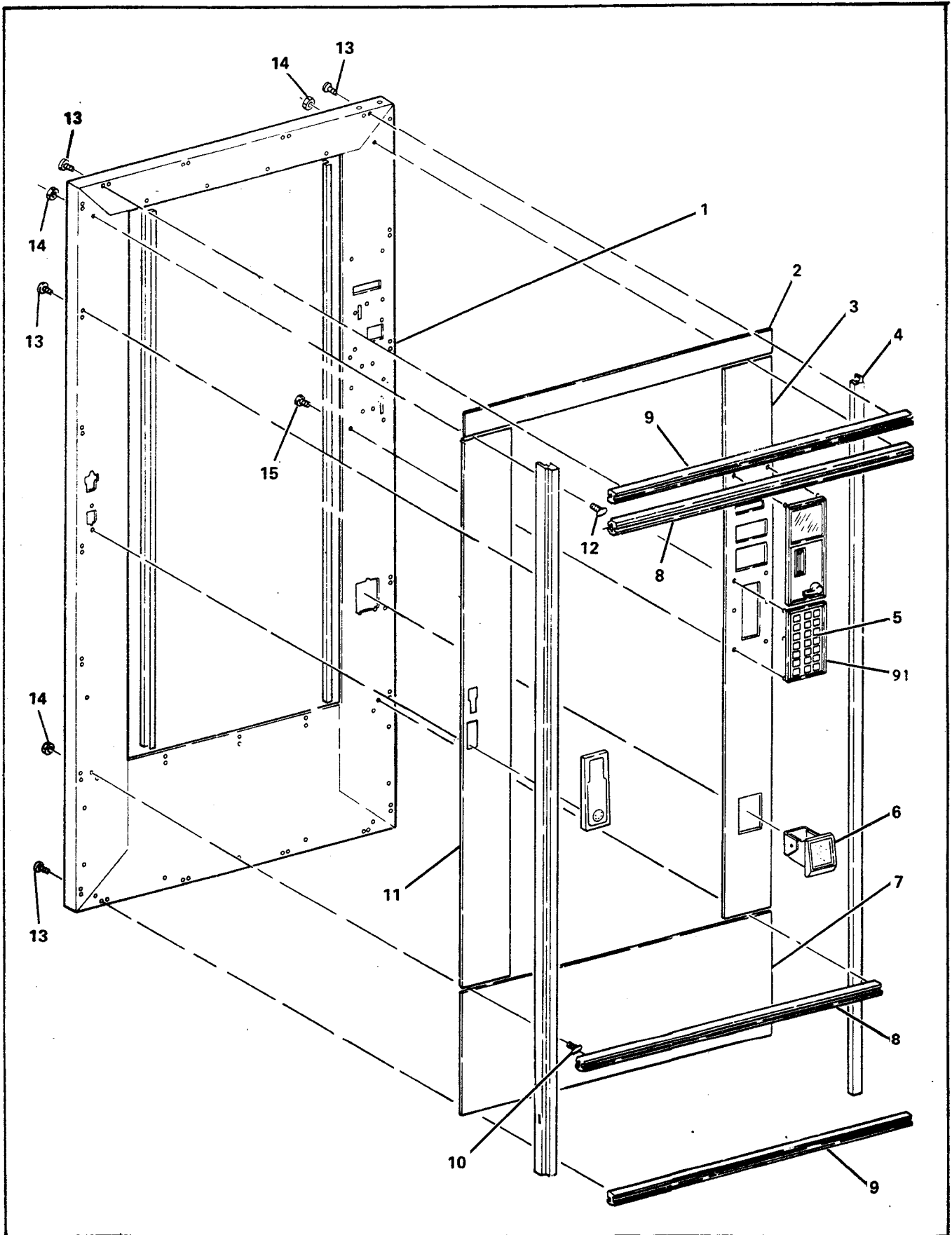


Figure 4-7. Door Assembly, Final (1 of 5)

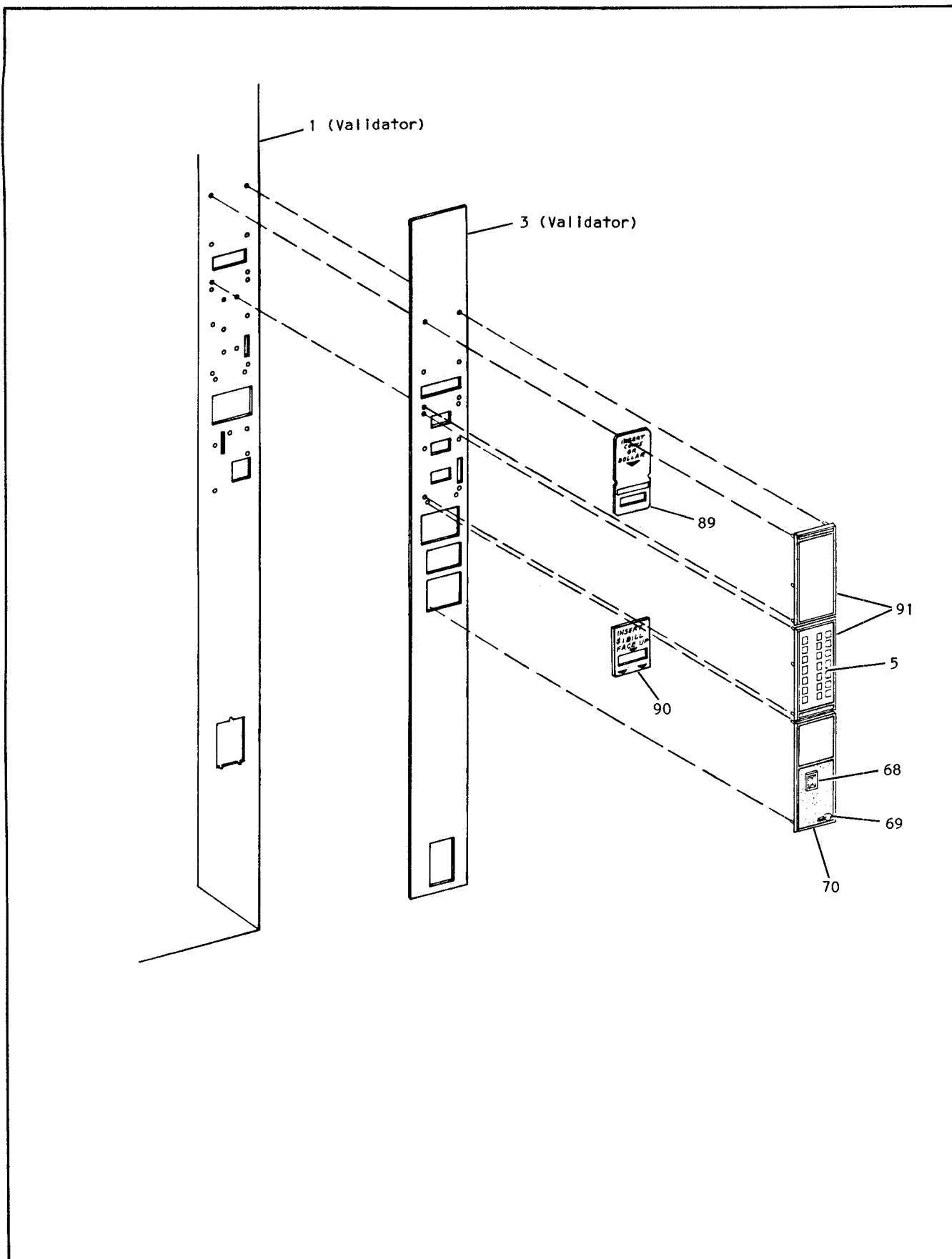


Figure 4-7. Door Assembly, Final (2 of 5)

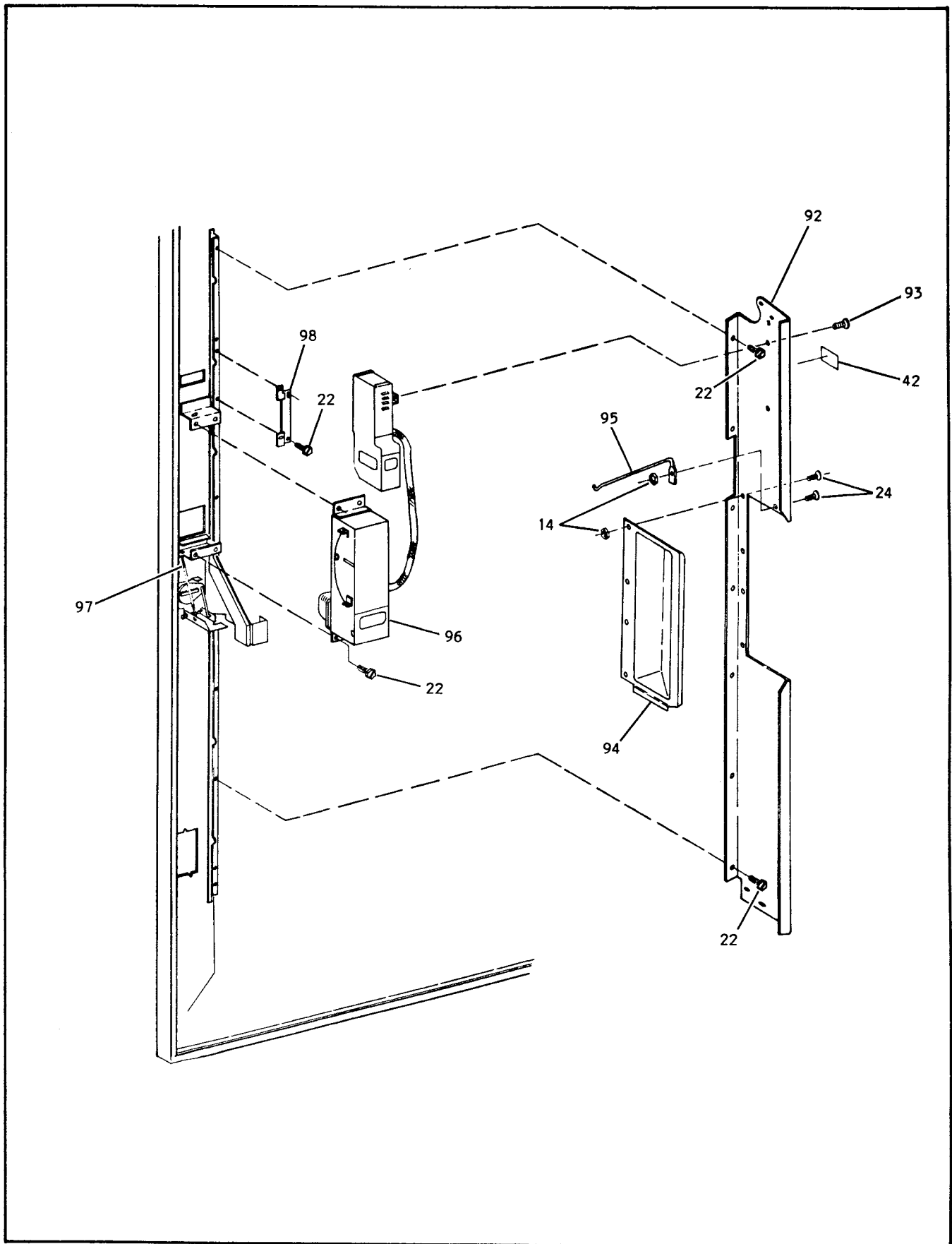


Figure 4-7. Door Assembly, Final (3 of 5)

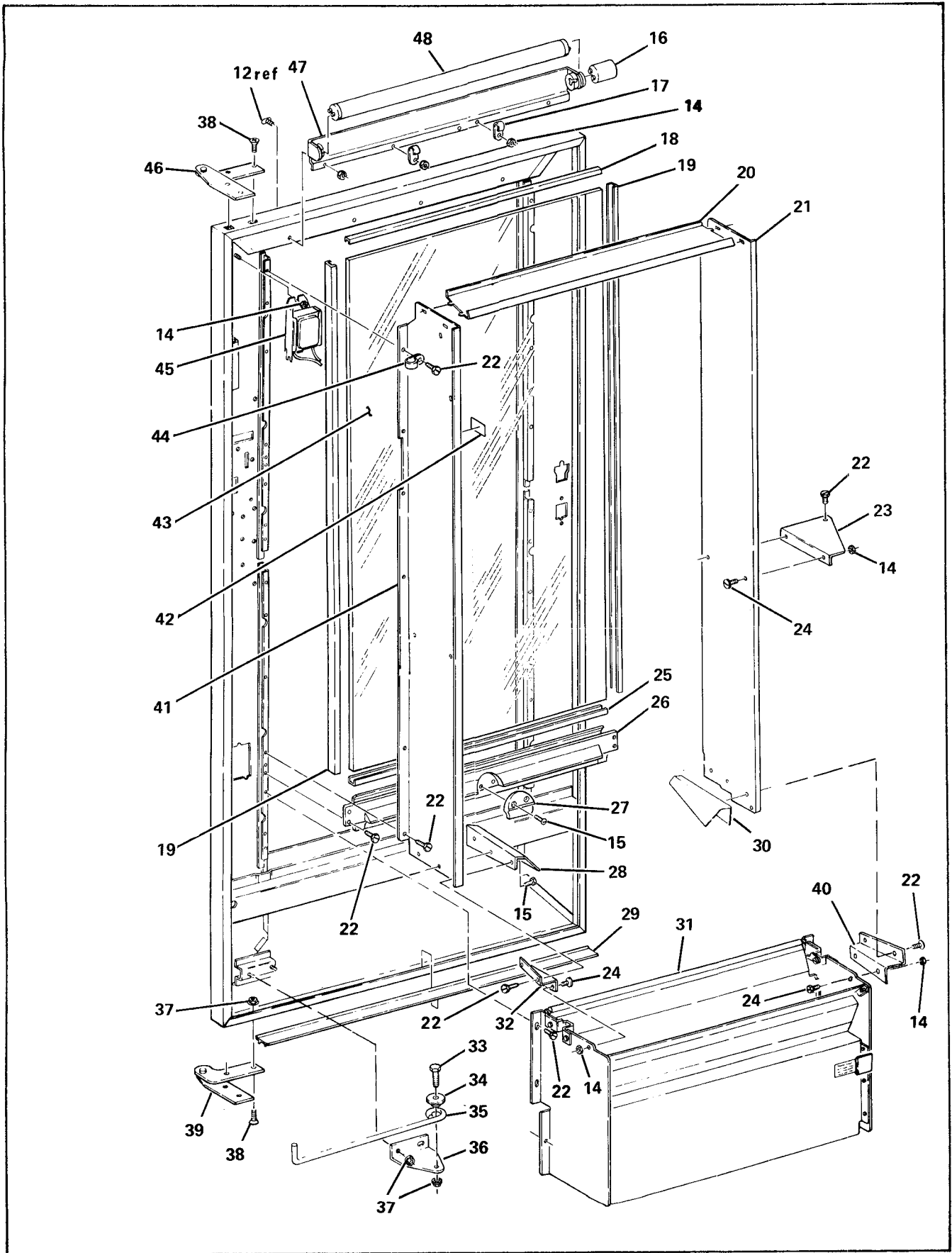


Figure 4-7. Door Assembly, Final (4 of 5)

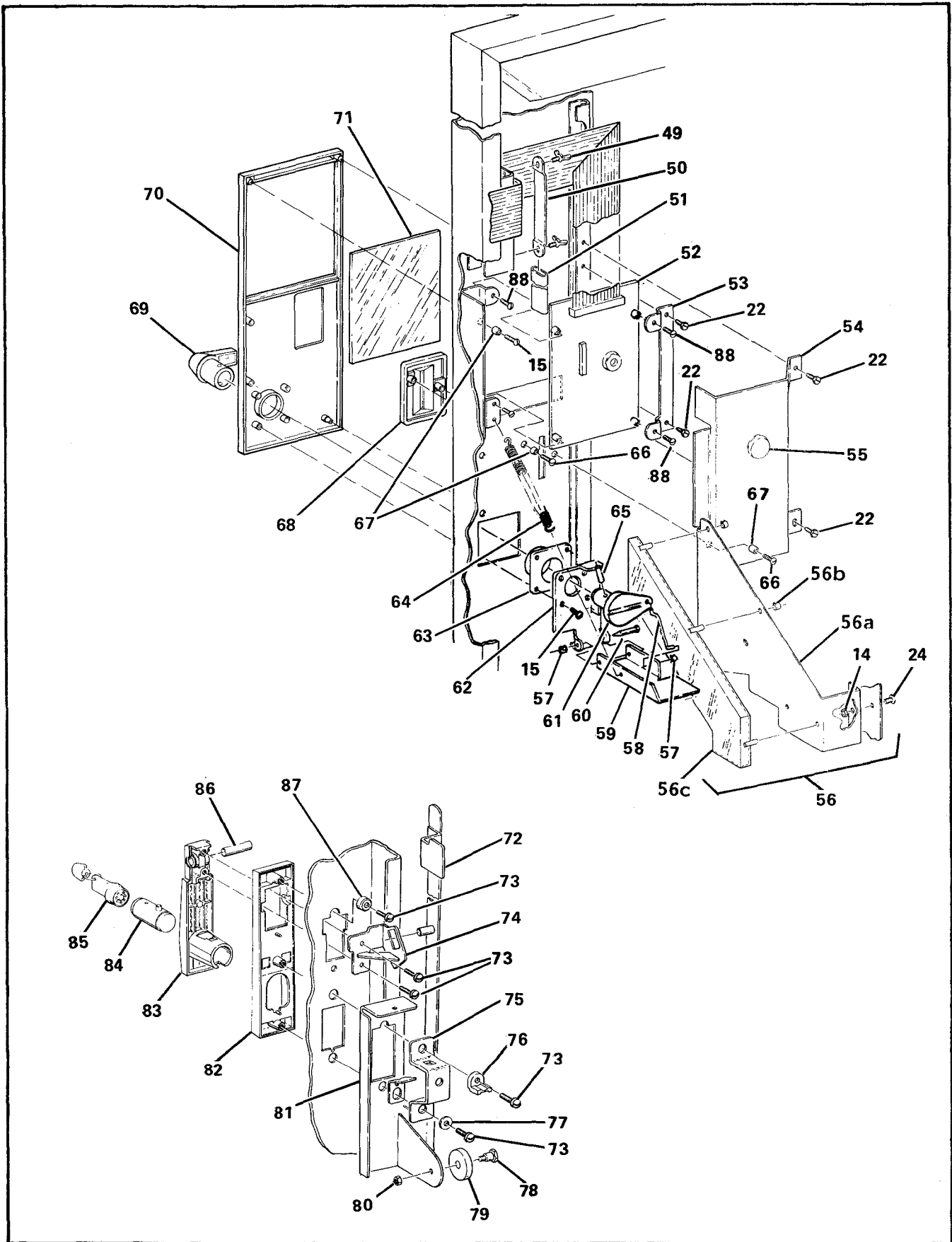


Figure 4-7. Door Assembly, Final (5 of 5)

Index No.	Description	Part Number	No. Req.
	Door Assembly, Final (See Figure/Index 4-1/4 for next higher assembly)	1462006	Ref.
1	Door Assembly, Weld Door Assembly, Weld (Validator)	1462000 1462301	1 1
2	Trim Panel - Top Walnut Optionals	1462015	1
	Trim Panel - Top-Enameled	1462056	1
	Trim Panel - Top-Formica-Laminated	1462057	1
	Trim Panel - Top-Honey Tone Teak Vinyl	1462058	1
	Trim Panel - Top-Regency Walnut Vinyl	1462059	1
	Trim Panel - Top-Rosewood Vinyl	1462060	1
	Trim Panel - Top-Stainless	1462061	1
	Trim Panel - Top-Blue Fleece	1462062	1
	Trim Panel - Top-Green Fleece	1462063	1
	Trim Panel - Top-Yellow Fleece	1462064	1
	Trim Panel - Top-Embossed Cane (Golden II only)	1462803	1
	Trim Panel - Top-Gatlinburg Walnut Vinyl	1462088	1
3	Panel - R.H. Trim, Port-Au-Prince Panel - R.H. Trim, Port-Au-Prince (Validator) Optionals	1452065 1452315	1 1
	Trim Panel - Right - Presidential Walnut	1452132	1
	Trim Panel - Right - Enameled	1452133	1
	Trim Panel - Right - Stainless	1452134	1
	Trim Panel - Right - Formica-Laminated	1452135	1
	Trim Panel - Right - Honey Tone Teak Vinyl	1452136	1
	Trim Panel - Right - Regency Walnut Vinyl	1452137	1
	Trim Panel - Right - Rosewood Vinyl	1452138	1
4	Trim - Door - Side	1302409	2
5	Grid Assembly - Push Button (See Figure 4-8)	1452024	1
6	Coin Receptacle Assembly (See Figure 4-9)	1452030	1
7	Trim Panel - Bottom - Walnut Optional	1462016	1
	Trim Panel - Bottom - Enameled	1462047	1
	Trim Panel - Bottom - Stainless	1462048	1
	Trim Panel - Bottom - Formica-Laminated	1462049	1
	Trim Panel - Bottom - Honey Tone Teak Vinyl	1462050	1
	Trim Panel - Bottom - Regency Walnut Vinyl	1462051	1
	Trim Panel - Bottom - Rosewood Vinyl	1462052	1
	Trim Panel - Bottom - Blue Fleece	1462053	1
	Trim Panel - Bottom - Green Fleece	1462054	1
	Trim Panel - Bottom - Yellow Fleece	1462055	1
	Trim Panel - Bottom - Embossed Cane (Golden II only)	1462802	1
	Trim Panel - Bottom - Gatlinburg Walnut Vinyl	1462089	1

SNACKTRON 2

Index No.	Description	Part Number	No. Req.
8	Trim Assembly - Door-Horizontal Imperial Crown Golden II	1462024	2
		1462806	2
9	Trim Assembly - Door-Top and Bottom Imperial Crown Golden II	1462021	2
		1462804	2
10	"T" Bolt - Trim - 3/8 (Trim Top & Bottom)	2222110	8
11	Trim Panel - L.H.-Port-Au-Prince Optionals	1462017	1
	Trim Panel - Left - Presidential Walnut	1462040	1
	Trim Panel - Left - Enameled	1462041	1
	Trim Panel - Left - Stainless	1462042	1
	Trim Panel - Left - Formica-Laminated	1462043	1
	Trim Panel - Left - Honey Tone Teak Vinyl	1462044	1
	Trim Panel - Left - Regency Walnut Vinyl	1462045	1
	Trim Panel - Left - Rosewood Vinyl	1462046	1
12	"T" Bolt - Trim - 3/4 (Trim & Light Bracket)	2222013	5
13	Screw, Sheet Metal, #6 x 7/16 RHS	1302282	22
14	Nut No.8-32 W/Lockwasher	9900081	23
15	Screw, No.8-32 x .31 Hex Hd. T/C	1451056	17
16	Starter, Fluorescent Light, FS-25	2302218	1
17	Retainer - Harness	1452139	2
18	Channel - Glass - Horizontal	1462007	1
19	Channel - Glass - Vertical	1452068	2
20	Shield - Light	1462018	1
21	End Plate - Display - L.H.	1462012	1
22	Screw, No.8-32 x .31 Hex Hd. T/F Black	1451097	37
23	Gusset - Display End Plate - L.H.	1462010	1
24	No.8-32 x 3/8 THS - Black	1170206	10
25	Channel - Glass - Lower	1462008	1
26	Panel - Glass - Lower	1462009	1
27	Retainer - Door Pivot	1452072	1

SNACKTRON 2

Index No.	Description	Part Number	No. Req.
28	Deflector - Product-R.H.	1452046	1
29	Strip - Filler - Sanitation	1462019	1
30	Deflector - Product - L. H.	1462011	1
31	Delivery Pan Assembly (See Figure 4-10)	1462028	1
32	Support - End Plate-R.H.	1452067	1
33	Bolt - Main Shaft - Hex	1106657	1
34	Bushing - Door Check	1142017	1
35	Arm Door Check	1452056	1
36	Plate - Door Check	1452055	1
37	Nut, No.1/4-20 "KEPS" Conical Serrated/Washer Hd	1172021	7
38	Screw, No.1/4-20 x 5/8 Flat Hd	1172020	4
39	Hinge Assembly, Lower Door	3102058	1
40	Support - End Plate L.H.	1462013	1
41	End Plate - Display R.H.	1452156	1
42	Label - Model Designation	1462005	1
43	Glass - Display Optional	1462014	1
	Glass - Display - Plexiglas	1462020	1
44	Cable Clamp - 7/16	3102348	1
45	Ballast Assembly - Display	6152188	1
46	Hinge Assembly - Upper Door	3102055	1
47	Light Assembly - Upper - Door (See Figure 4-11)	1462026	1
48	Fluorescent Lamp	1122138	1
49	Thumb Screw - #8-32 x 3/8	4021056	2
50	Clamp - Wire	1451042	1
51	Cover - Clamp	1451043	1

SNACKTRON 2

Index No.	Description	Part Number	No. Req.
52	PCB Assembly - Display-#1	1452073	1
53	Bracket - P/C Board	1452070	1
54	Cover - Display - PCB Assembly	1452017	1
55	Hole Plug	1452016	1
56	Plate and Coin Chute Assembly - Upper	1452084	1
56a	Plate - Coin Chute	1452086	1
56b	Speed Clip - Compression Ring	2366055	6
56c	Chute - Coin	1452085	1
57	Speed Clip - Compression Ring	2366055	2
58	Link - Scavenger	1452054	1
59	Arm - Scavenger	1452053	1
60	Latch Pin	1127837	1
61	Cam - Scavenger	1452060	1
62	Bracket - Scavenger Pivot	1452052	1
63	Bearing - Scavenger	1402014	1
64	Spring - Scavenger Bar	1144014	1
65	Cotter Pin - 3/32 x 3/4	9900098	1
66	Screw, No.8-10 x .38 Hex Hd T/F	1437204	5
67	Spacer Cup	2302053	16
68	Coin Insert	1452061	1
69	Handle, Scavenger	1402037	1
70	Casting, Scavenger & Readout	1452050	1
71	Insert, Instruction	1452022	1
72	Lock Bar & Stud Assembly - L.H.	1452018	1
73	Screw, #10-32 x 1/2 RHS W/Lockwasher	1217161	5

Index No.	Description	Part Number	No. Req.
74	Actuator Assembly - Lock Bar - L.H.	1452013	1
75	Catch, Door Latch	3112195	1
76	Shield, Latch	1302326	1
77	Steel Washer - 7/16 x .203 x .062	9900067	1
78	Stud, Tray Roller	1457001	1
79	Roller - Door	1452058	1
80	Nut, #10-32 Self Locking	1407048	1
81	Bracket - Door Roller	1452162	1
82	Base, Lever - Lock	1172191	1
83	Lever, Lock	1172190	1
84	Cylinder, Flex-Ace Lock	9992000	1 opt.
	Cylinder, Van Lock	3112163	1 opt.
85	Key, Flex-Ace lock	9994000	1 opt.
	Key, Van Lock	3112164	1 opt.
86	Pivot - Lever Lock	1302291	1
87	Spacer Cup	1302289	1
88	Screw, #6-32 x 1/4 PHS	9900124	4
89	Insert, Instructions, Upper, Validator	1452326	1
90	Insert, Instructions, Lower, Validator	1452327	1
91	Bezel, Pushbutton (2 reg'd with Validator)	1452051	1
92	End Plate Display, Validator, R.H.	1452310	1
93	Screw, No.10-32 x .31 THS T/F Black	1452312	2
94	Shield, Validator	1452322	1
95	Rod Support, End Plate	1452313	1
96	Validator and Controller Assembly	1452336	1
97	Spring, Common Bar	4076515	1
98	Bracket, P.C. Board	1452314	1

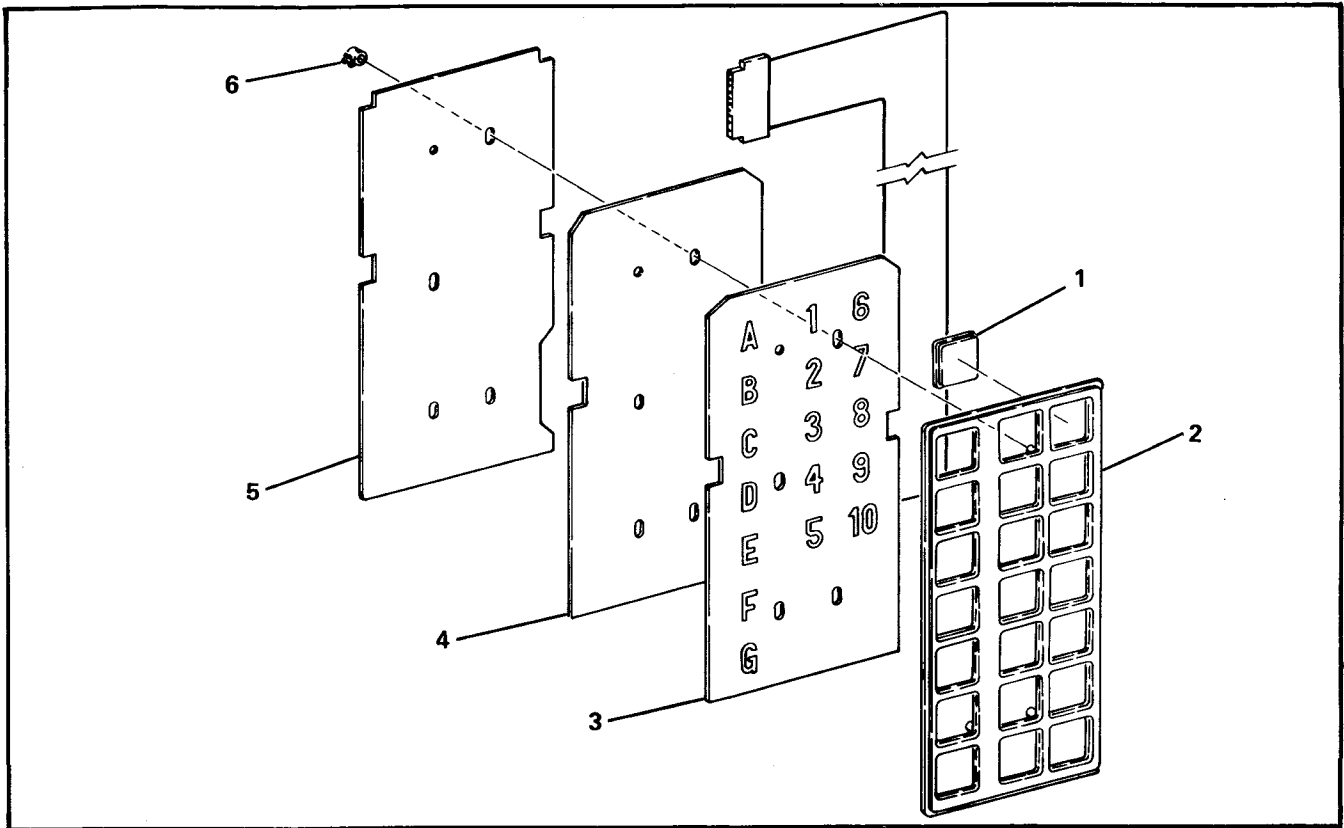


Figure 4-8. Push-Button Grid Assembly

Index No.	Description	Part Number	No. Req.
	Push Button Grid Assembly (See Figure/Index 4-7/5 for next higher assembly)	1452024	Ref.
1	Lens, Push Button	1452027	21
2	Grid, Push Button	1452026	1
3	Letter Sheet, Push Button	1452028	1
4	P/C Membrane and Pad Switch Assembly	1452140	1
5	Backup Plate, Push Button	1452025	1
6	Speed Clip, Compression Ring	2366055	5

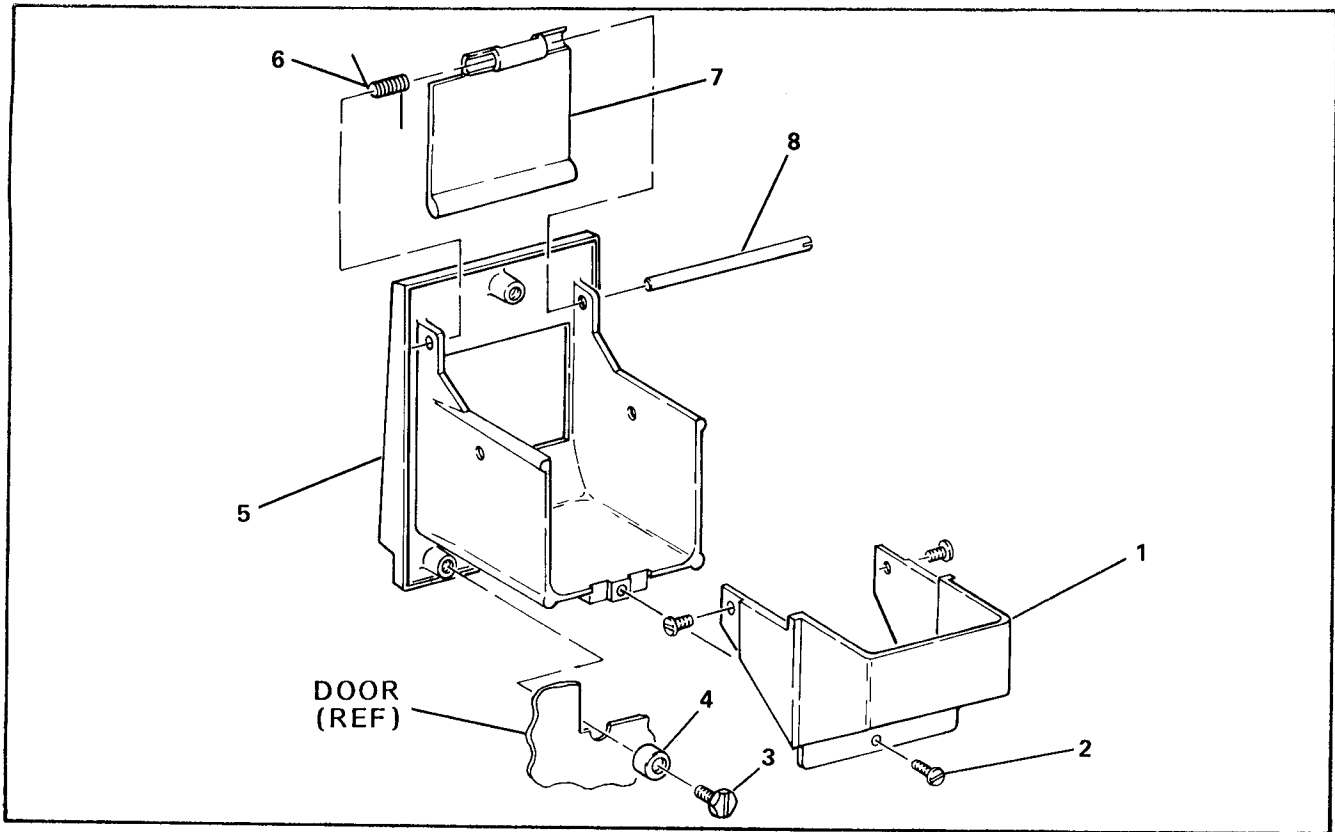


Figure 4-9. Coin Receptacle Assembly

Index No.	Description	Part Number	No. Req.
	Coin Receptacle Assembly (See Figure/Index 4-7/6 for next higher assembly)	1452030	Ref.
1	End, Coin Cup	1452031	1
2	Screw, No.6-20 x .38 Pan Head	9900203	3
3	Screw, No.8-10 x .38 Hex Head	1437204	3
4	Spacer, Cup	2302053	3
5	Coin Receptacle	1272131	1
6	Spring, Gate, Coin Return Receptacle	1212117	1
7	Gate, Coin Receptacle	1272132	1
8	Pin, Gate	1272039	1

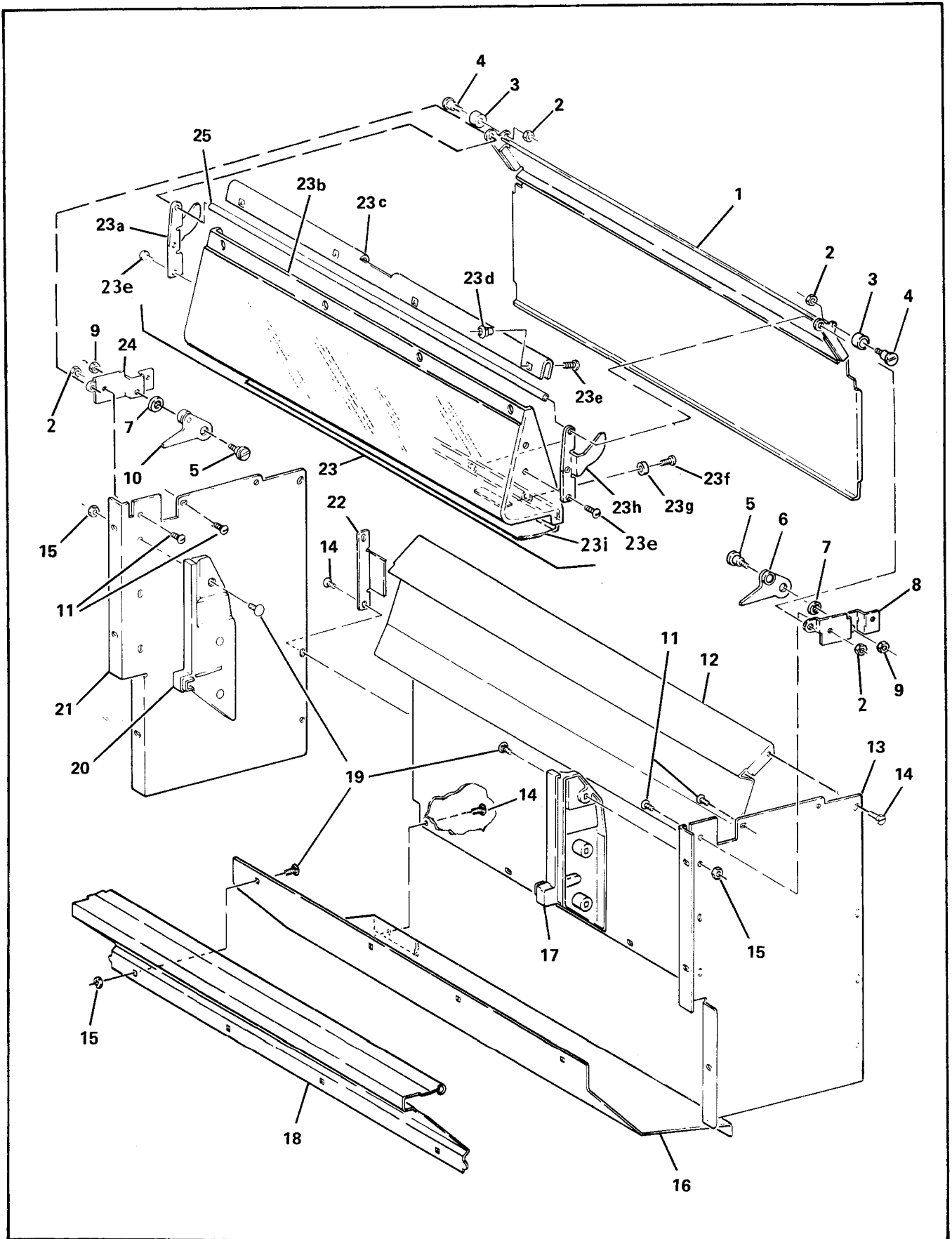


Figure 4-10. Delivery Pan Assembly

Index No.	Description	Part Number	No. Req.
	Delivery Pan Assembly (See Figure/Index 4-7/31 for next higher assembly)	1462028	Ref.
1	Pilferage Door & Channel Assembly	1462036	1
2	Nut, #8-32 Self-Locking, Black	1412046	6
3	Roller - Door Actuator	1412089	2
4	Stud - Door Actuator	1412090	2
5	Stud - Actuator - Plate Pivot	1412045	2
6	Actuator Plate & Roller Assembly - R.H.	1452141	1
7	Washer - Scavenger Bar	2204093	2
8	Bracket - Door Pivot - R.H.	1412021	1
9	Nut, #10-32 Self Locking	1407048	2
10	Actuator Plate & Roller Assembly - L.H.	1452144	1
11	Screw, #8-32 x 3/8 THS-Black	1170206	4
12	Back Panel - Delivery Pan	1462031	1
13	End Plate - Delivery Pan - R.H.	1452159	1
14	Screw, #8-32 x .31 Hex Hd T/F-Black	1451097	12
15	Nut, #8-32 W/Lockwasher	9900081	10
16	Bottom Panel - Delivery Pan	1462032	1
17	Filler - Right	1412022	1
18	Pan Delivery - Front	1462030	1
19	Carriage Bolt - Torque Channel	1306140	10
20	Filler - Left	1412023	1
21	End Plate - Delivery Pan - L.H.	1452160	1
22	Actuator - Interlock Switch	1452104	1
23	Door Assembly, Delivery	1462033	1

SNACKTRON 2

Index No.	Description	Part Number	No. Req.
23a	Actuator, Delivery Door - L.H.	1412026	1
23b	Door, Delivery	1462034	1
23c	Channel, Door	1462035	1
23d	Nut, Carriage, #8-32	1402052	4
23e	Screw, #8-32 x 3/8 RHS, Black	1170206	8
23f	Screw, #6-20 x 3/8 PHS T/C	9900203	2
23g	Bumper	2222109	2
23h	Actuator - Delivery Door R.H.	1452025	1
23i	Angle, Delivery Door	1462073	1
23g	Screw, #8-18 x 3/8 PHS - Tapping	7207019	4
24	Bracket - Door Pivot - L.H.	1412024	1
25	Shaft - Door Pivot	1462029	1

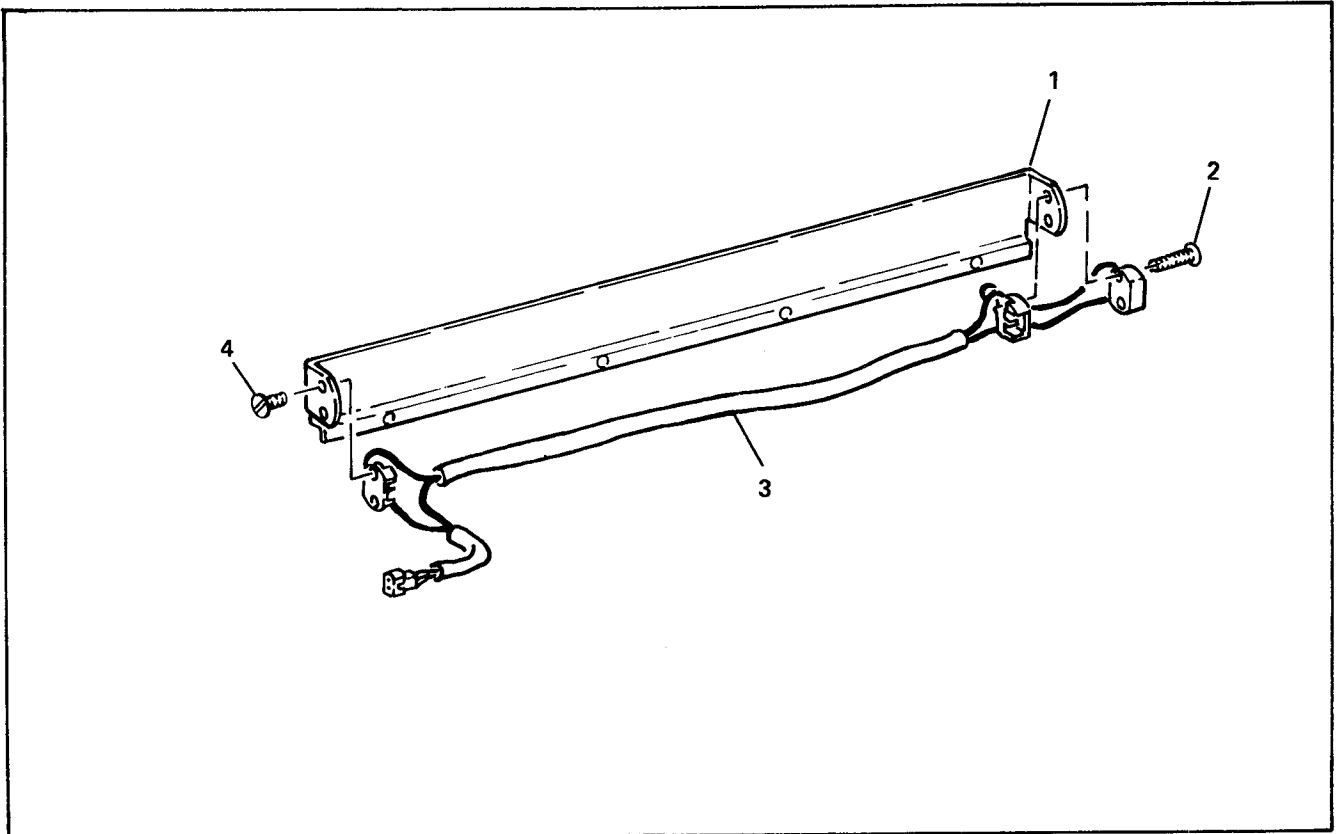


Figure 4-11. Upper Door Light Assembly

Index No.	Description	Part Number	No. Req.
	Light Assembly, Upper Door (See Figure/Index 4-7/47 for next higher assembly)	1462026	Ref.
1	Bracket, Light Tube	1462027	1
2	Harness, Fluorescent Light	1462067	1

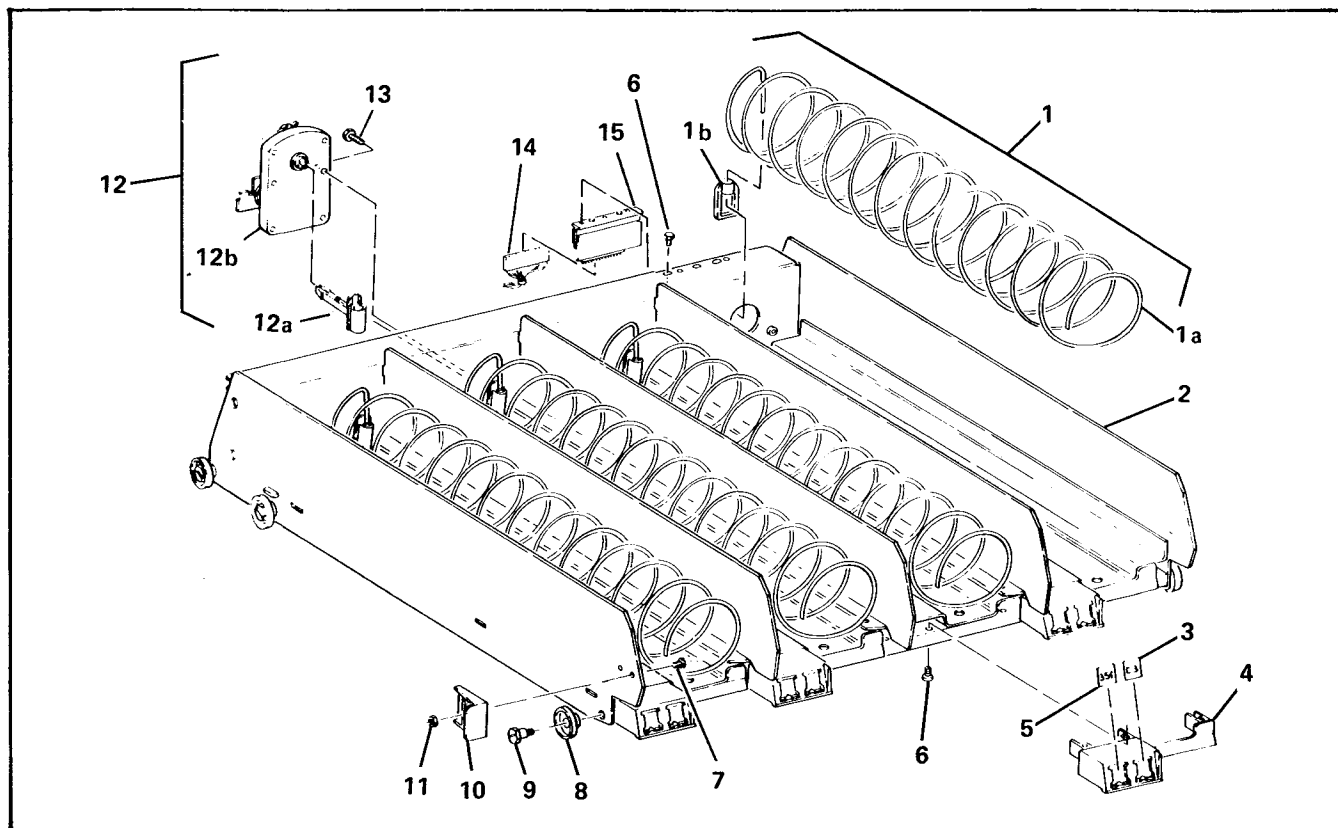


Figure 4-12. Snack Tray Final Assembly

Index No.	Description	Part Number	No. Req.
	Snack Tray Assembly - Final (See Figure/Index 4-1/5 for next higher assembly)	1467000	1
1	Spiral & Retainer Assembly - Blue (Options Not Shown)	1457029	1
	Spiral & Retainer Assembly - Yellow	1457032	2
	Spiral & Retainer Assembly - Red	1457035	1
	Spiral & Retainer Assembly - White	1457038	opt.
	Spiral & Retainer Assembly - Green	1457041	opt.
1a	Spiral, 3.25 Dia. - 11 Count	1457030	1
	Spiral, 3.25 Dia. - 13 Count	1457033	2
	Spiral, 3.25 Dia. - 15 Count	1457036	1
	Spiral, 3.25 Dia. - 20 Count	1457039	opt.
	Spiral, 3.25 Dia. - 25 Count	1457042	opt.
1b	Retainer - Spiral - Blue (Options Not Shown)	1457061	1
	Retainer - Spiral - Yellow	1457062	2
	Retainer - Spiral - Red	1451063	1
	Retainer - Spiral - White	1457064	opt.
	Retainer - Spiral - Green	1457065	opt.

Index No.	Description	Part Number	No. Req.
2	Snack Tray Assembly	1467001	1
3	Label - Item Letters	1450005	1
4	Snack Tray Label Holder	1417001	4
5	Label - Price Tags	1450017	1
6	Screw, #8-32 x .38 Hex Hd T/F	1437204	15
7	Screw, #8-32 x 3/8 THS - Black	1170206	1
8	Roller, Tray	1407018	6
9	Stud - Tray Roller	1457001	6
10	Retainer - Tray	1457028	1
11	Nut, #8-32 W/Lockwasher	9900081	1
12	Motor Assembly, Tray	1457091	4
12a	Coupling - Spiral	1457092	4
12b	PCB & Motor Assembly - Tray	1457093	4
13	Screw, #8-32 x .81 Hex. Hd. T/F	1457027	8
14	Harness - Tray - 4 Selection	1467006	1
15	PCB & Terminal Block Assembly - 5 Sel. Tray	1457013	1

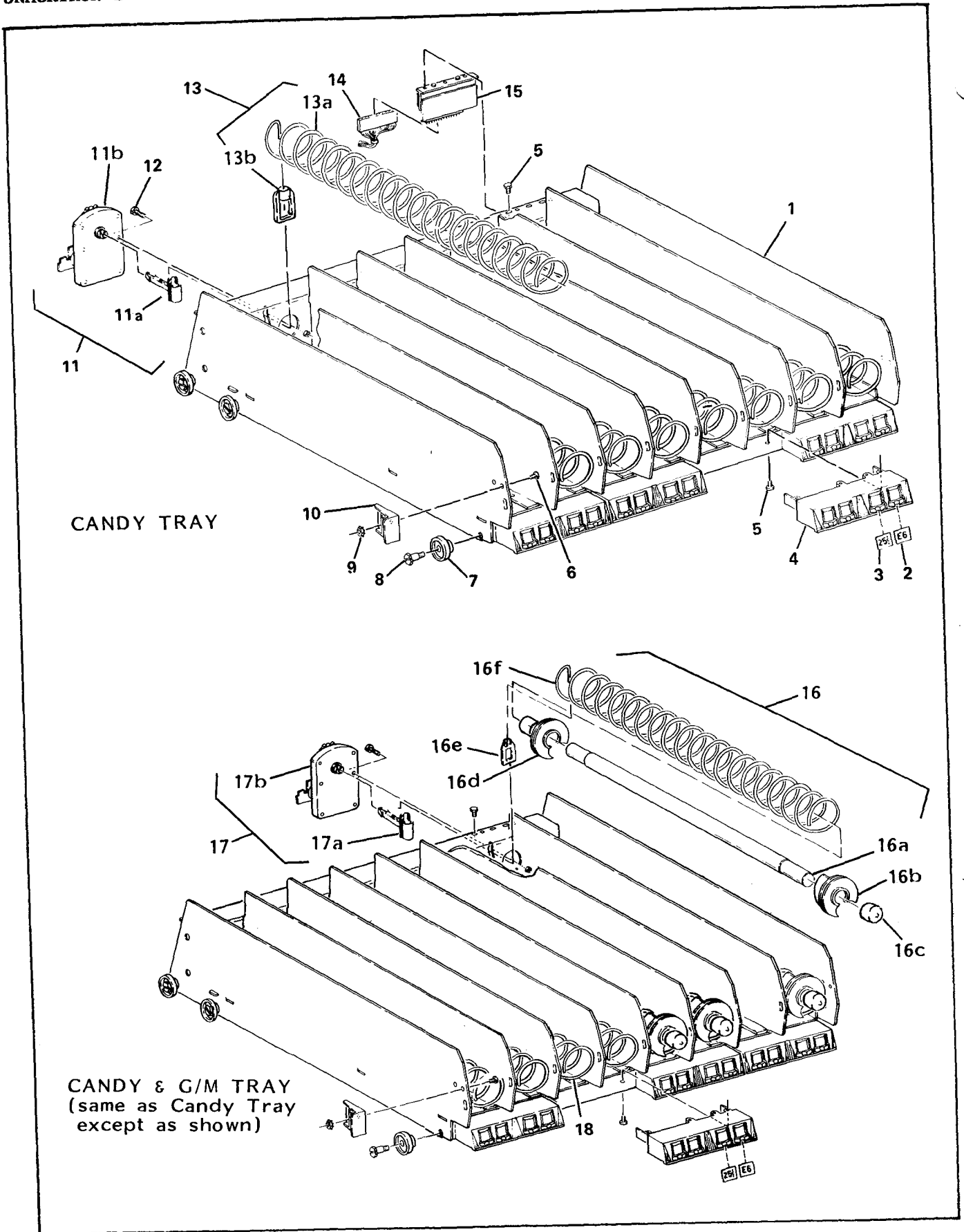


Figure 4-13. Candy Tray Final Assembly

Index No.	Description	Part Number	No. Req.
	Candy Tray Assembly, Final	1467100	Ref.
	Candy & G/M Tray Ass'y. - Final	1467124	Ref.
	See Figure/Index 4/1-6 for next higher assembly		
1	Tray Assembly, Candy	1467101	1
2	Label, Item Letters	1450005	1
3	Label, Price Tags	1450007	1
4	Label Holder, Candy	1457101	4
5	Screw, #8-10 x 38 Hex Head T/F	1437204	11
6	Screw, #8-32 x 3/8 THS-Black	1170206	1
7	Roller, Tray	1407018	6
8	Stud, Tray Roller	1457001	1
9	Nut #8-32 W/Lockwasher	9900081	1
10	Retainer, Tray	1457028	1
11	Motor Assembly, Tray	1457091	8
11a	Coupling, Spiral	1457092	8
11b	PCB & Motor Assembly, Tray	1457022	8
12	Screw, #8-32 x .81 Hex Head	1457027	16
13	Spiral & Retainer Assembly - Blue	1457110	2
	Spiral & Retainer Assembly - Yellow	1457112	5
	Spiral & Retainer Assembly - Red	1457114	1
	Spiral & Retainer Assembly - White	1457116	Opt.
	Spiral & Retainer Assembly - Green	1457124	Opt.
13a	Spiral, 2.69 Dia. - 15 Count	1457111	2
	Spiral, 2.69 Dia. - 20 Count	1457113	5
	Spiral, 2.69 Dia. - 30 Count	1457115	1
	Spiral, 2.69 Dia. - 38 Count	1457117	Opt.
	Spiral, 2.69 Dia. - 13 Count	1457125	Opt.
13b	Retainer - Spiral - Blue	1457061	2
	Retainer - Spiral - Yellow	1457062	5
	Retainer - Spiral - Red	1457063	1
	Retainer - Spiral - White	1457064	Opt.
	Retainer - Spiral - Green	1457065	Opt.

SNACKTRON 2

Index No.	Description	Part Number	No. Req.
14	Harness, Tray, 8 Selection	1467106	1
15	PCB & Terminal Block Assy. 10 Sel. Tray	1457118	1
16	Spiral Ass'y. - Dual Gum & Mint	1467127	4
16a	Spiral Insert Assembly	1467131	4
16b	Disk - Spiral Insert	1467129	4
16c	Cap - Spiral Insert	1467136	8
16d	Disk - Spiral Insert - Rear	1467130	4
16e	Retainer - Spiral - Orange	1467137	4
16f	Spiral, 2.69 Dia. Dual Gum & Mint	1467128	4
17	Motor Assembly - Dual Gum & Mint	1457138	4
17a	Coupling, Spiral	1457092	4
17b	PCB & Motor Assembly, Tray	1467139	4
18	Spiral & Retainer Assembly - Yellow	1457112	4